

3-in-1 Meter-Mounted Transfer Switch

PRODUCT DESCRIPTION

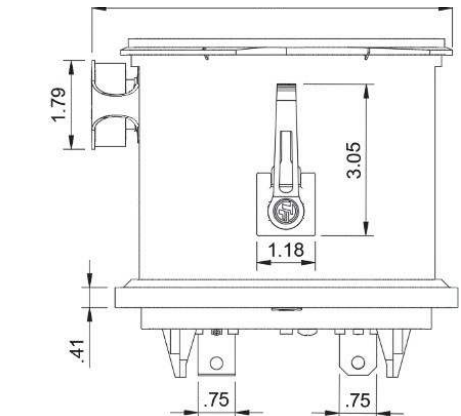
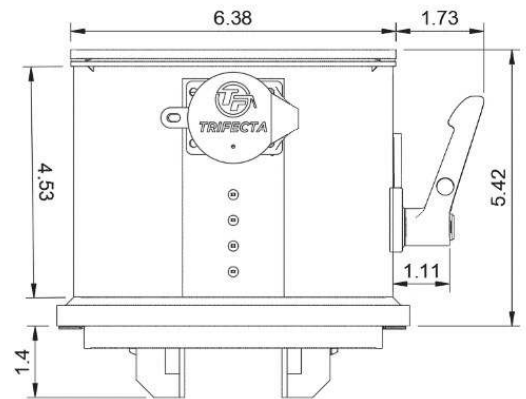
The Trifecta is a UL-listed state-of-the-art device by Global Power Products that provides three essential services in a single meter mounted appliance. **The Trifecta is a manual transfer switch, service lockout, and surge suppression device that can be installed in less than 15 minutes!**

The Trifecta can safely connect portable generator power to the main breaker of the home in minutes. Rotating the handle on the device allows a homeowner to easily control whether their home is connected to the utility grid, an alternate source, or neither source. This three-position design ensures the home is disconnected from the utility grid before alternate source power is connected, preventing back-feeding and protecting essential utility line workers.

The Trifecta provides a simple way to disconnect the home from all power sources if maintenance on the load side of the electrical system is required. Locking the device in the off position ensures neither source is connected to the home, creating a safe work environment. Additionally, the Trifecta protects sensitive equipment inside the house from damaging transient voltage surges with 75kA of surge suppression per phase.



PATENTS PENDING



TECHNICAL SPECIFICATIONS

Weight:	3.5 lbs.
Socket Style:	Ring or Ring-less, 200 Amp, 4-jaw
Compliance:	UL 1008M
Surge Protection:	75 kA per phase
Utility Input Voltage:	200 to 250 V AC
Utility Compatibility:	200 Ampere or less
Generator Input Voltage:	200 to 250 V AC
Generator Compatibility:	30 or 45 Ampere, 7-11kW Continuous
Generator Protection:	Supplementary 30 or 45 Ampere Protection
Generator Connection:	Proprietary GenerLok™ Cord
Life Cycle:	300,000 Operations
Temperature Range:	-30°C to 60°C External Ambient



7-Year Warranty



Made in the Georgia



LISTED