



# Smart Revenue-Grade Surface Mount Meter

The NE surface mount meter is a true RMS electric meter that uses cutting-edge communication technology to automatically deliver its readings to our cloud database. Available in single phase and three phase versions with CT ratings that range from 100A-5000A Protected by a NEMA 4X-rated enclosure, the NE Meter works both indoors and outdoors.

### Communication Options:

Powered by cutting-edge technology to automatically deliver meter readings to the cloud, NE Multi Meter Panels are available in a range of communication options:

- LTE Cat M1 (Connected by AT&T)
- Ethernet
- 900 MHz Radio Frequency
- BACnet-MSTP

### Optional Features:

- Remote demand reset
- 2 pulse inputs (Dry or Wet)
- Time of Use
- On-board mass memory
- KYZ pulse output
- Demand Profiling



### Accessing Your Data:

Access your electric meter's full history from anywhere by logging into the PowerTrack portal:

- Organize meters into groups
- Export data for monthly billing
- Create graphics illustrating usage in specific time ranges
- Perform remote demand resets



nemeter.com



Empowering Smarter Energy Management Solutions  
info@globalpowerproducts.com • (800) 886-3837 • globalpowerproducts.com  
© 2024 Global Power Products. All Rights Reserved.

# Specifications

### Operating Range:

Voltage: 96-528 Volts (absolute)  
 Current: 100 - 5000 Amp Transformers Frequency: 47Hz to 63Hz  
 Temperature: -400 C to +850 C  
 Humidity: 0 to 95% non-condensing

### Acceptable Services:

3 Phase 4 Wire Wye/Delta  
 3 Phase 3 Wire Delta  
 1 Phase 2 Wire or 3 Wire

### Burdens:

<b>Current Circuit:</b>	Phase A, B, C	<b>1VA max</b>
<b>Voltage Circuit:</b>	Phase A	<b>8.6VA max</b>
<b>Power Circuit:</b>	Phase B & C	<b>0.24 VA max.</b>

### Insulation, Surge Protection and Performance:

- Conforms to ANSI C12.20
- ANSI / IEEE C37.90.1 - 1989

### Dimensions:

8 in. x 9.75 in. x 3.3. in.

MODELS	Energy Only (kWh)	Demand (kW)	Time of Use (TOU)	Active (kVA)	Reactive (kVAR)
NE-5000	✓				
NE-5100	✓	✓			
NE-5200	✓	✓	✓		
NE-5300	✓	✓	✓	✓	✓

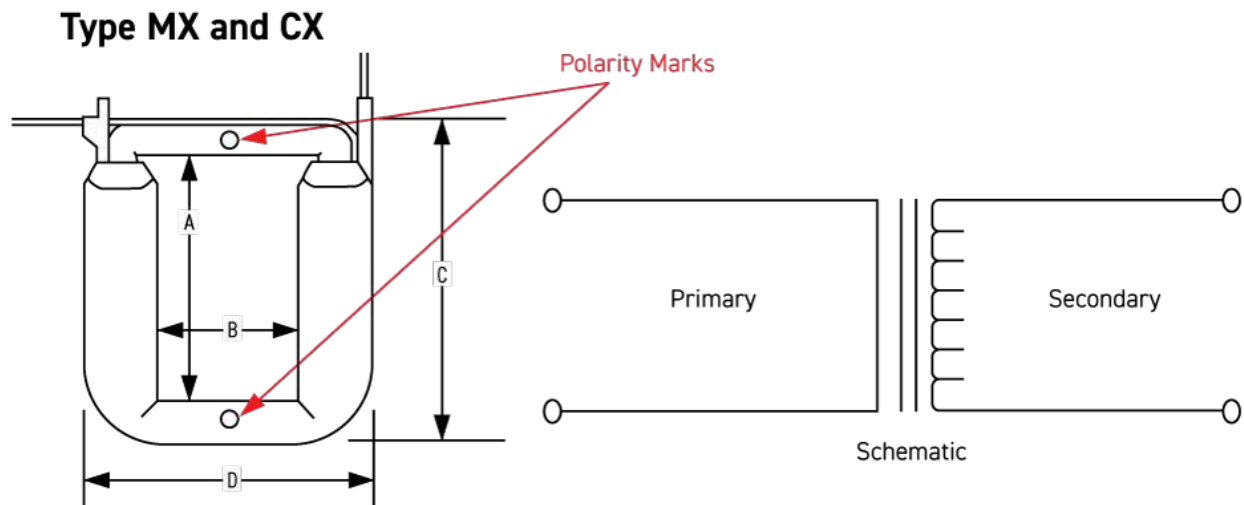
## Specifications

### Current Transformer Details:

TYPE MX			
AMPERES PRI: SEC	NUMBER	INSIDE DIMENSIONS (INCHES)	OUTSIDE DIMENSIONS (INCHES)
100 : 0.1	512274-011	1.00 X 2.25	3.60 X 3.85
200 : 0.1	512274-012	1.00 X 2.24	3.77 X 3.73
400 : 0.1	512274-013	2.25 X 3.50	4.25 X 4.50
600 : 0.1	512274-014	2.25 X 3.50	4.25 X 4.50
800 : 0.1	512274-015	2.25 X 3.50	4.25 X 4.50
1000 : 0.1	512274-016	3.125 X 4.50	5.125 X 5.50
1200 : 0.1	512274-017	3.125 X 6.56	5.125 X 7.50
1600 : 0.1	512274-018	3.125 X 6.50	5.125 X 7.50
2000 : 0.1	512274-019	3.125 X 8.00	5.125 X 9.00
2500 : 0.1	512274-020	3.125 X 8.00	5.125 X 9.00
2500 : 0.1	512274-021	4.25 X 8.00	7.75 X 9.00
3000 : 0.1	512274-022	3.125 X 8.00	5.125 X 9.00
3000 : 0.1	512274-023	4.25 X 8.00	7.75 X 9.00

AWG Size	6	4	2	1	1/0	2/0	3/0	4/0	250	300	350	400	500	600	700	750	1000
DIA. (Inches)	.290	.335	.390	.460	.500	.540	.585	.635	.710	.760	.810	.850	.930	1.035	1.100	1.130	1.280

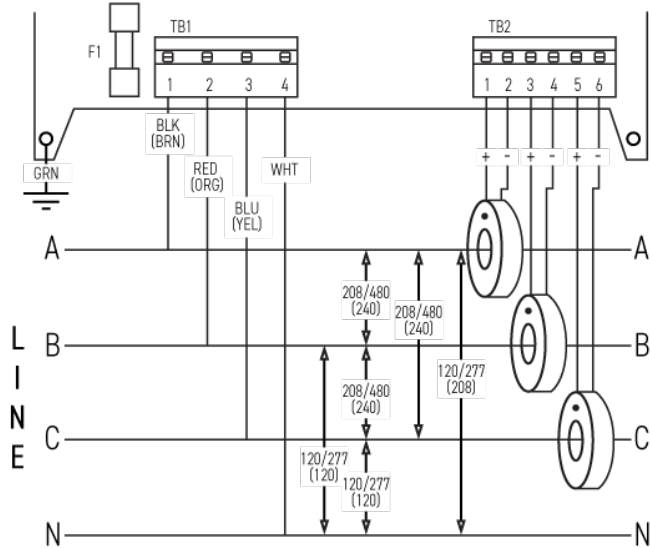
### Dimensions:



(Inside Dimension is A x B; Outside Dimension is D x C)

# Specifications

## Wiring diagram for 3 phase 3 wire Wye service:



VT2-400-1

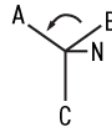
Use 18 - 14 AWG Copper in terminal blocks  
Tightening torque 6 lb - in.



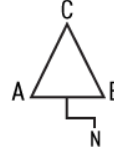
**CAUTION:**

For continued protection, replace F1 with fuse MDL-V .03125 mA 250 V Slo-Blo rating

**Note:** Dot on CT toward line side.  
(+) wires black  
(-) wires white or yellow



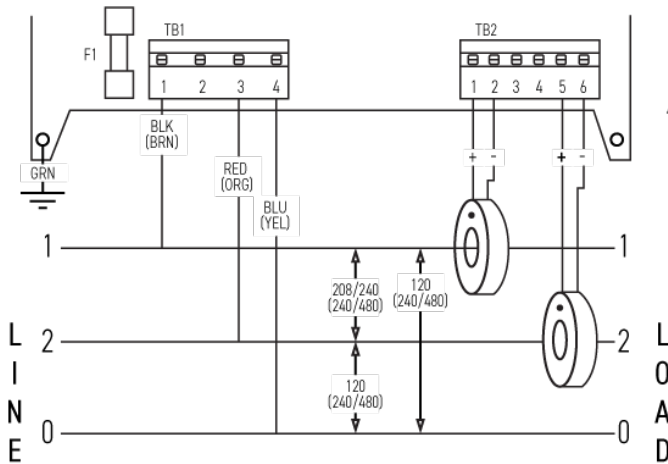
3 Phase 4 Wire Wye  
120/208 V or 277/480 V



3 Phase 4 Wire Delta  
120/208/240 Volt

For 3 Wire Delta and other configurations see installation manual

## Wiring diagram for 3 phase 4 Wire Delta service:



VT2-401-1



Use 18 - 14 AWG Cu in terminal blocks  
Tightening torque 6 lb - in.

**CAUTION:**

For continued protection, replace F1 with fuse .03125 mA 250 V Slo-Blo rating

**Note:** Dot on CT toward line side.  
(+) wires black  
(-) wires white or yellow

3 Phase 3 Wire Delta  
3 Wire Single Phase/Network  
120 - 480 Volts

