



Smart Revenue-Grade Mini Meter

The NE mini meter is a true RMS electric meter that uses cutting-edge communication technology to automatically deliver its readings to our cloud database. Available in single phase and three phase versions with CT ratings that range from 100A to 5000A This meter is designed to function in tight spaces and indoor applications only.

Communication Options:

Powered by cutting-edge technology to automatically deliver meter readings to the cloud, NE Multi Meter Panels are available in a range of communication options:

- LTE Cat M1 (Connected by AT&T)
- Ethernet
- 900 MHz Radio Frequency
- BACnet-MSTP

Optional Features:

- Remote demand reset
- 2 pulse inputs (Dry or Wet)
- Time of Use
- On-board mass memory
- KYZ pulse output
- Demand Profiling



Accessing Your Data:

Access your electric meter's full history from anywhere by logging into the PowerTrack portal.

- Organize meters into groups
- Export data for monthly billing
- Create graphics illustrating usage in specific time ranges
- Perform remote demand resets



5-Year Warranty



Made in Georgia



LISTED



1:1 US-Based Expert Service And Support



Proudly Serving Customers Since 1995



nemeter.com



Empowering Smarter Energy Management Solutions

info@globalpowerproducts.com • (800) 886-3837 • globalpowerproducts.com

© 2024 Global Power Products. All Rights Reserved.

Specifications

Operating Range:

Voltage: 96-528 Volts (absolute)
 Current: 100 - 5000 Amp Transformers Frequency: 47Hz to 63Hz
 Temperature: -400 C to +850 C
 Humidity: 0 to 95% non-condensing

Acceptable Services:

3 Phase 4 Wire Wye/Delta
 3 Phase 3 Wire Delta
 1 Phase 2 Wire or 3 Wire

Burdens:

Current Circuit:	Phase A, B, C	1VA max
Voltage Circuit:	Phase A	8.6VA max
Power Circuit:	Phase B & C	0.24 VA max.

Insulation, Surge Protection and Performance:

- Conforms to ANSI C12.20
- ANSI / IEEE C37.90.1 - 1989

Dimensions:

6.5 in. x 5 in. x 2 in.

MODELS	Energy Only (kWh)	Demand (kW)	Time of Use (TOU)	Active (kVA)	Reactive (kVAR)
NE-5000	✓				
NE-5100	✓	✓			
NE-5200	✓	✓	✓		
NE-5300	✓	✓	✓	✓	✓

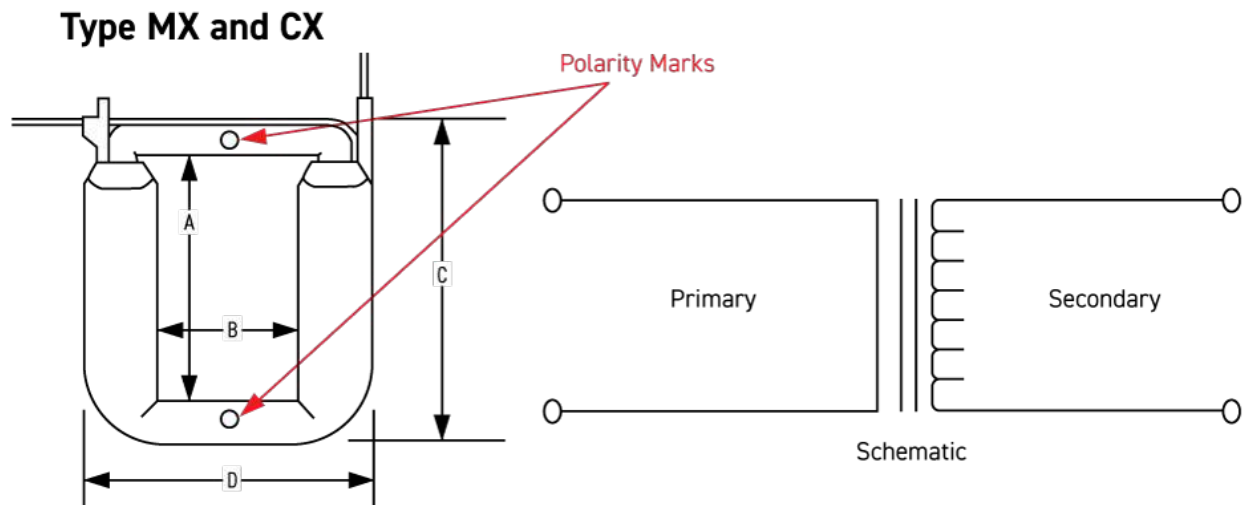
Specifications

Current Transformer Details:

TYPE MX			
AMPERES PRI: SEC	NUMBER	INSIDE DIMENSIONS (INCHES)	OUTSIDE DIMENSIONS (INCHES)
100 : 0.1	512274-011	1.00 X 2.25	3.60 X 3.85
200 : 0.1	512274-012	1.00 X 2.24	3.77 X 3.73
400 : 0.1	512274-013	2.25 X 3.50	4.25 X 4.50
600 : 0.1	512274-014	2.25 X 3.50	4.25 X 4.50
800 : 0.1	512274-015	2.25 X 3.50	4.25 X 4.50
1000 : 0.1	512274-016	3.125 X 4.50	5.125 X 5.50
1200 : 0.1	512274-017	3.125 X 6.56	5.125 X 7.50
1600 : 0.1	512274-018	3.125 X 6.50	5.125 X 7.50
2000 : 0.1	512274-019	3.125 X 8.00	5.125 X 9.00
2500 : 0.1	512274-020	3.125 X 8.00	5.125 X 9.00
2500 : 0.1	512274-021	4.25 X 8.00	7.75 X 9.00
3000 : 0.1	512274-022	3.125 X 8.00	5.125 X 9.00
3000 : 0.1	512274-023	4.25 X 8.00	7.75 X 9.00

AWG Size	6	4	2	1	1/0	2/0	3/0	4/0	250	300	350	400	500	600	700	750	1000
DIA. (Inches)	.290	.335	.390	.460	.500	.540	.585	.635	.710	.760	.810	.850	.930	1.035	1.100	1.130	1.280

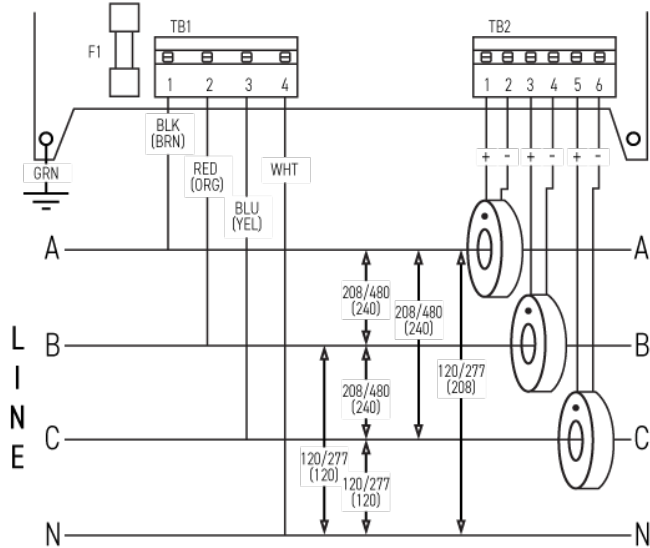
Dimensions:



(Inside Dimension is A x B; Outside Dimension is D x C)

Specifications

Wiring diagram for 3 phase 3 wire Wye service:



VT2-400-1

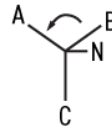
Use 18 - 14 AWG Copper in terminal blocks
Tightening torque 6 lb - in.



CAUTION:

For continued protection, replace F1 with fuse MDL-V .03125 mA 250 V Slo-Blo rating

Note: Dot on CT toward line side.
 (+) wires black
 (-) wires white or yellow



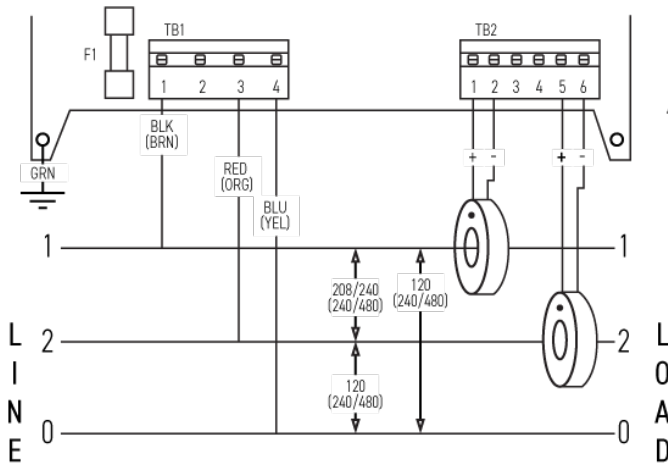
3 Phase 4 Wire Wye
 120/208 V or 277/480 V



3 Phase 4 Wire Delta
 120/208/240 Volt

For 3 Wire Delta and other configurations see installation manual

Wiring diagram for 3 phase 4 Wire Delta service:



VT2-401-1



Use 18 - 14 AWG Cu in terminal blocks
Tightening torque 6 lb - in.

CAUTION:

For continued protection, replace F1 with fuse .03125 mA 250 V Slo-Blo rating

Note: Dot on CT toward line side.
 (+) wires black
 (-) wires white or yellow

3 Phase 3 Wire Delta
 3 Wire Single Phase/Network
 120 - 480 Volts

