



Trifecta



PATENTS PENDING

3-in-1 METER-MOUNTED TRANSFER SWITCH

Manual Transfer Switch • Surge Suppression Device • Service Lockout

PRODUCT DESCRIPTION

Protect what powers your home with the Trifecta manual transfer switch. This UL-listed, state-of-the-art device provides three essential services in a single, meter-mounted appliance:

Manual Transfer Switch

Connect portable generator power to the main breaker of the home in minutes. The convenient, three-position handle allows users to easily control whether their home is connected to the utility grid, an alternate source, or neither.

Service Lockout

Disconnect the home from all power sources if maintenance on the load side of the electrical system is needed. Locking the device in the "OFF" position ensures neither source is connected to the home, preventing backfeed and creating a safe work environment.

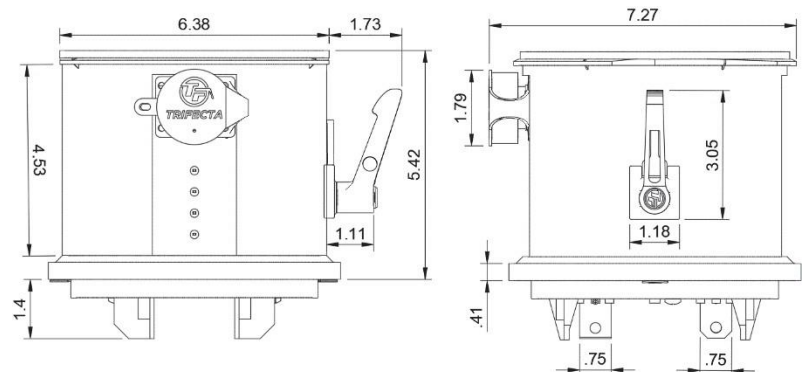
Surge Suppression

Protect sensitive equipment inside the house from damaging transient voltage surges with 75kA of surge suppression per phase.

Installation is fast and easy in 30 minutes or less!

TECHNICAL SPECIFICATIONS

Weight:	3.5 lbs.
Socket Style:	Ring or Ring-less, 200 Amp, 4-jaw
Compliance:	UL 1008M
Surge Protection:	75 kA per phase
Utility Input Voltage:	200 to 250 V AC
Utility Compatibility:	200 Ampere or less
Generator Input Voltage:	200 to 250 V AC
Generator Compatibility:	30 or 45 Ampere, 7-11kW Continuous
Generator Protection:	Supplementary 30 or 45 Ampere Protection
Generator Connection:	Proprietary GenerLok™ Cord
Life Cycle:	300,000 Operations
Temperature Range:	-30°C to 60°C External Ambient



7-Year Warranty Made in the USA



Empowering Smarter Energy Management Solutions

info@globalpowerproducts.com • (800) 886-3837 • globalpowerproducts.com

Copyright © 2024 Global Power Products. All Rights Reserved.